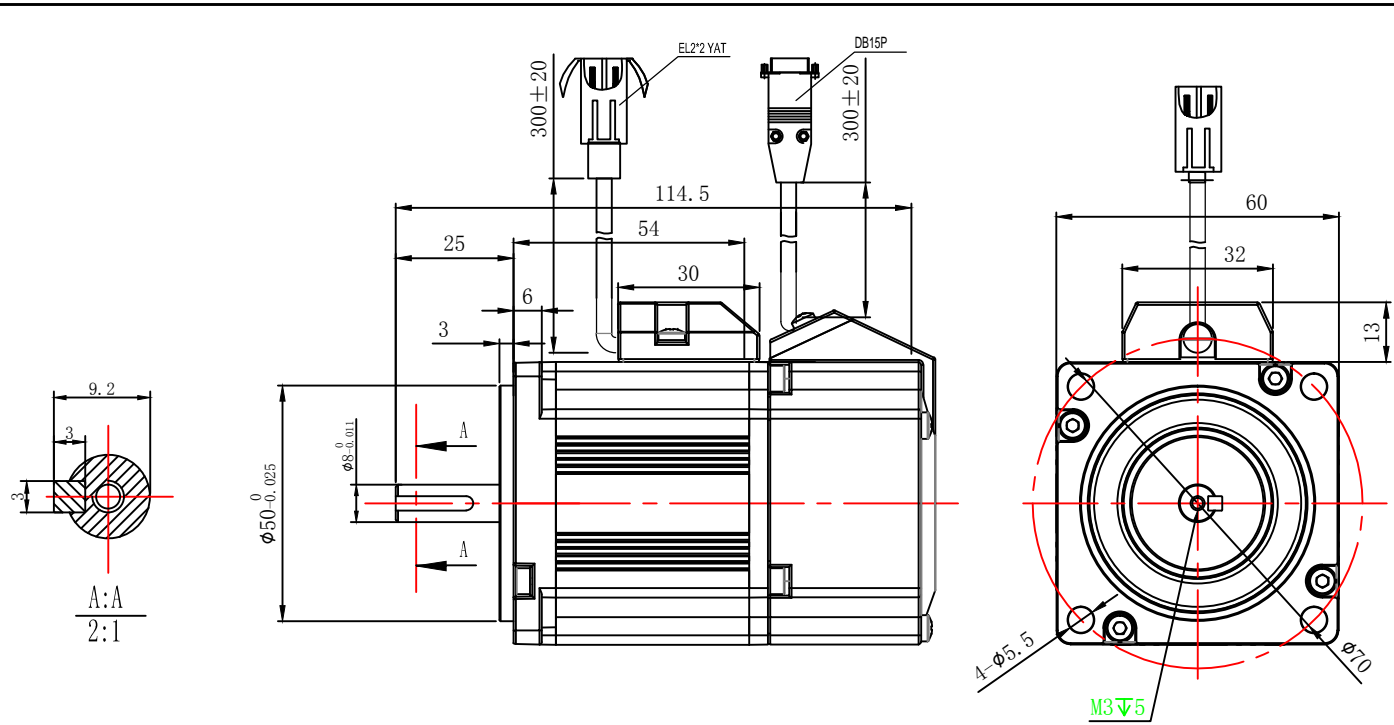
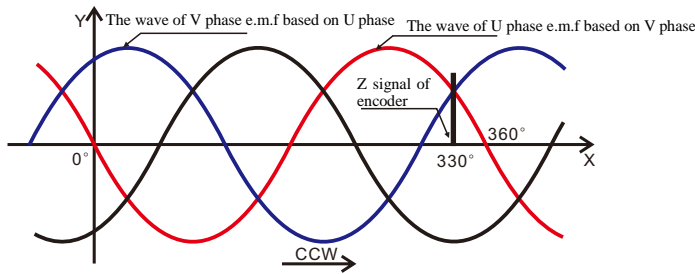


Rate output(Kw)	0.1
Poles	8
Rated voltage(VAC)	36
Rated speed(rpm)	3000
Max speed(rpm)	5000
Rated torque (N.m)	0.32
Instantaneous peak torque(N.m)	0.96
Rated current(A)	4.6
Instantaneous peak current(A)	13.8
Back EMF Const (mV/rpm)	5.35
Torque Const(N.m/A)	0.0712
Inertia (Kg.m ² .10 ⁻⁴)	0.11
Resistance(Ω)	0.75Ω @25℃
Inductance(mH)	2.0mH @1KHz, 1V
Mass(Kg)	1.0
Feedback	Incremental, ABZ+uvw, 2500PPR

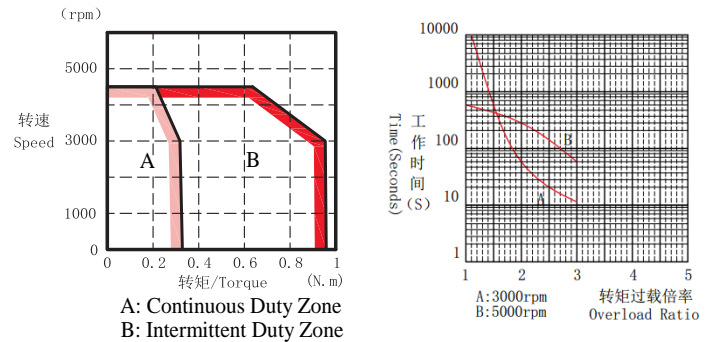
Time rating	Continuous
Thermal class	Class F
Withstand voltage	AC1500V 1min
Insulation	DC500V 1MΩ
Ambient Temp	0~+40℃
Ambient humidity	20-80% no
Vibration class	V15
Drive method	Direct drive
Mounting	Flange method
Excitation	Permanent magnet
Enclosure	IP54
Rotation direction	counterclockwise



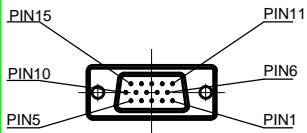
The relationship between encoder zero point and motor phase



The curve of torque-speed



Defi	U	V	W	FG
Color	Red	Blue	Black	Yellow/green



Type	DB15 Male														
Pin	1	2	3	4	5	6	7	8	9	10	11	12	13	14	15
Defi	A+	B+	0V	W+	U+	FG	Z+	Z-	V+	V-	A-	B-	+5V	W-	U-
Color	Green	White	Black	Grey/bk	Brn/bk	Shield	Yellow	Yel/bk	Org/bk	Orange	Grn/bk	Wht/bk	Red	Grey	Brown

Leadshine Technology Co .Ltd

ACM601V36-T-2500
60mm, low inertia, 100w servo motor