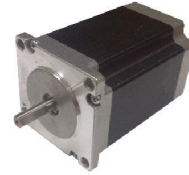


HS2320A/B Two Phase 1.8° Stepper Motors

■ Features

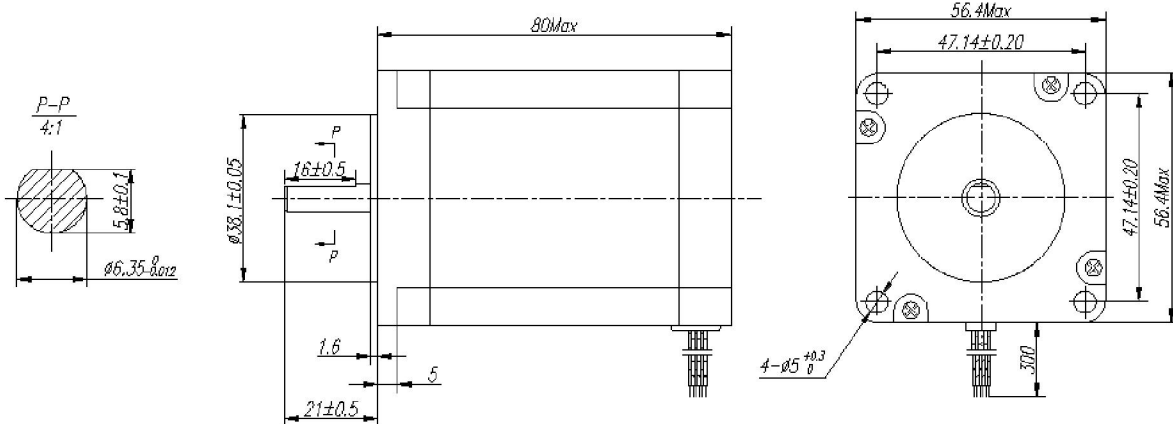
- 1.8° Stepping Angle
- NEMA 23
- High Torque
- High Accuracy
- Smooth Movement



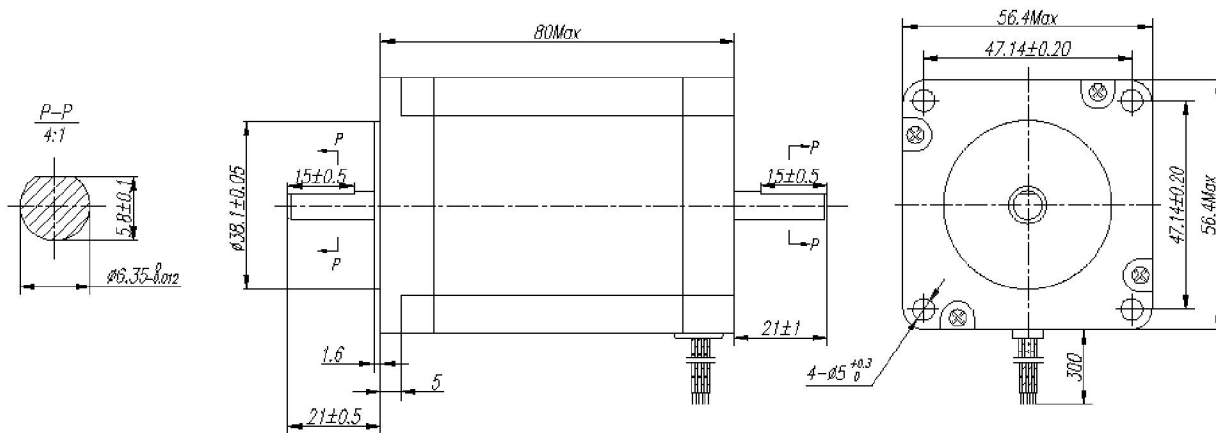
■ Specification

Model	Connection	Holding Torque	Rated Current	Resistance	Inductance	Detention Torque	Rotor Inertia	Shaft Size	Lead Number	Length	Weight
		Oz-in (NM)	A	Ohm	mH	Oz-in	oz-in-sec ²	inch		inch	lb
HS2320A / HS2320B	Bipolar Parallel	283 (2.0)	4.2	0.6	2.0	9.2	0.00620	0.25	4	3.15	2.42

■ Mechanical Dimension



HS2320A Mechanical Dimension



HS2320B Mechanical Dimension

■ Wiring Diagram

