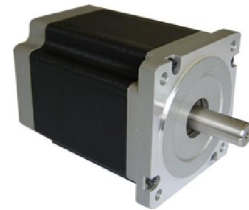


HS34100 Two Phase 1.8° Stepper Motors

■ Features

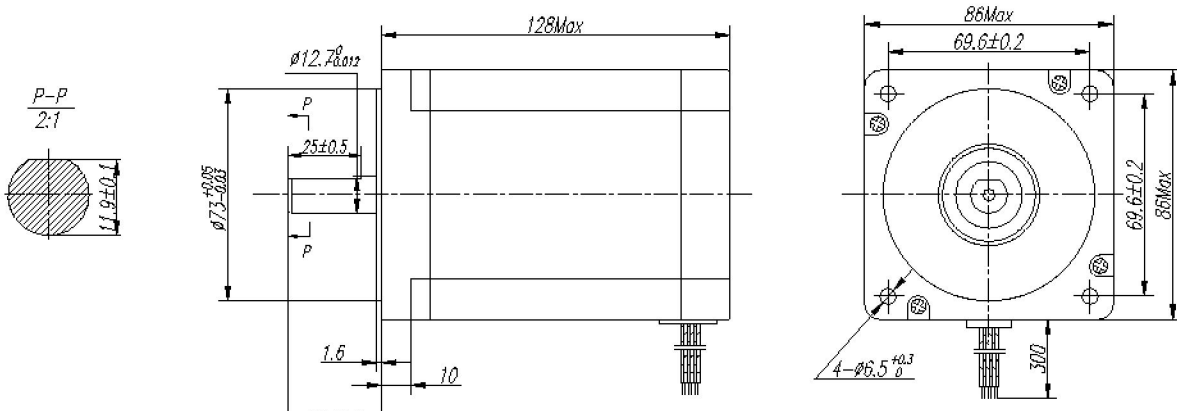
- 1.8° Stepping Angle
- Nema 34
- High Accuracy
- Smooth Movement



■ Specification

Model	Holding Torque	Rated Current	Resistance	Inductance	Voltage	Rotor Inertia	Shaft Size	Lead Number	Length	Weight
	Oz-in (NM)	A	Ohm	mH	V	oz-in-sec ²	inch		inch	lb
HS34100	1412 (12)	5.6	0.65	226.2	3.64	0.04371	0.50	4	5.04	8.71

■ Mechanical Dimension



■ Wiring Diagram

