



# 35HS Series Hybrid Stepping Motors



## General Specifications

Step Angle Accuracy	±5%(full step, no load)
Temperature Rise	80°CMax
Ambient Temperature	-10°C —— +50°C
Insulation Resistance	100MΩmin.500VDC
Dielectric Strength	500VAC for one minute
Shaft Radial Play	0.06 Max.(450g-load)
Shaft Axial Play	0.08 max.(450g-load)

## Electrical Specifications

Model Number	Step Angle Degree (°)	Motor Length L inch (mm)	Holding Torque Oz-in (Nm)	Number of Leads	Phase Current (Amps)	Phase Resistance (Ohm)	Phase Inductance (mH)	Rotor Inertia Oz-in-sec <sup>2</sup> (g.cm <sup>2</sup> )	Detent Torque Oz-in (g.cm)	Weight Oz (kg)
35HS01	1.8	1.02 (26)	9.91 (0.07)	4	0.4	35±10%	16±20%	0.0001704 (12)	1.42 (102)	5.29 (0.15)

\* Above motor is our typical model, and if you need a customization motor, please contact us.

## Mechanical Specifications (Unit=mm, 1 inch=25.4mm)

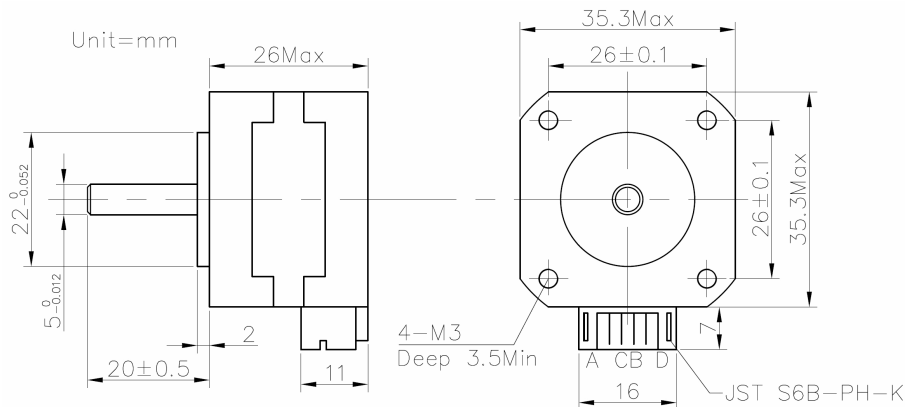


Figure 1: Mechanical specification of 35HS01

## Wiring Diagram

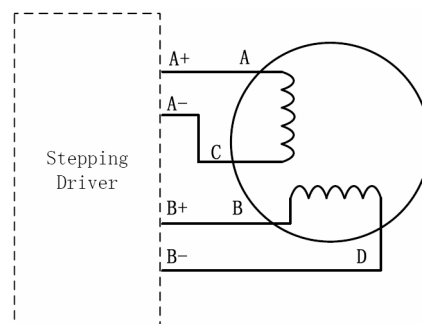


Figure 2: Wiring diagram