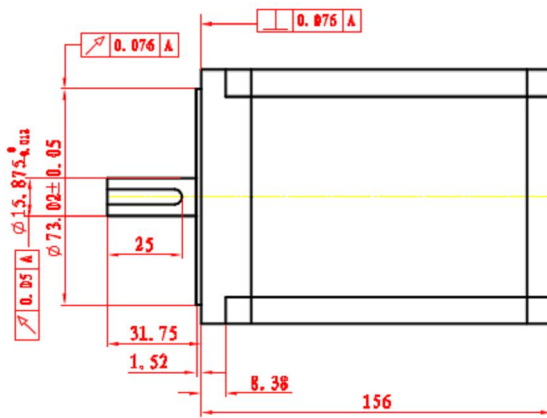
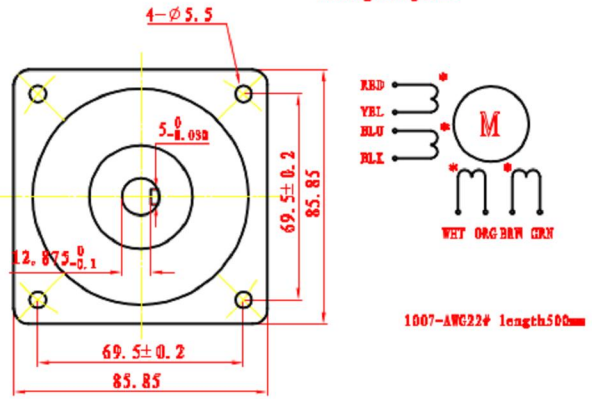


Dimension:



Wiring Diagram:



1007-AWC22# length500mm

Specifications:

PHASE	STEP ANGLE	CONNECTION STYLE	CURRENT	RESISTANCE	INDUCTANCE	HOLDING TORQUE	ROTOR INERTIA	WEIGHT
	DEG/STEP		A	ohms	mH	N.m	gm ²	g
4	1.8	parallel	6	0.63	8	12	4900	5.3
		series	3	2.5	32			
		unipolar	4.2	1.25	8	8.4		

LEADSHINE
Model No. 86HS120