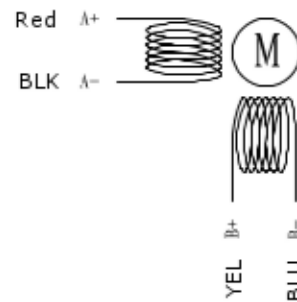
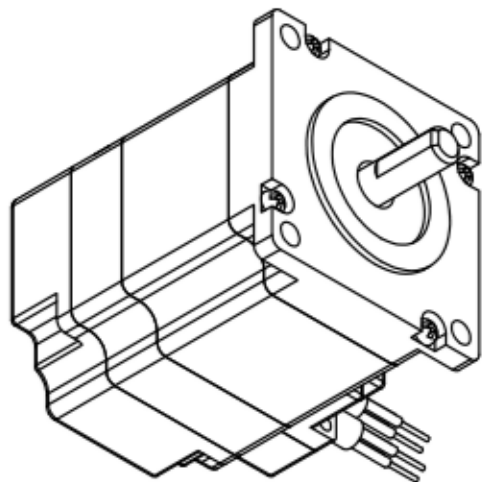


**Specification**

**Specification**

Phase No.	2
Step Angle	1.8°±5%
Holding Torque	1.0N.m
Voltage	1.7V
Phase Current	4A
Resistance	0.4Ω±10%
Inductance	2mH
Inertia	0.20Kg.cm <sup>2</sup>
Insulation Class	B
Encoder	1000 line
Weight	0.8Kg



**ES-M22310 /  
ES-M22310-0635**

**Leadshine Technology Co.,Ltd.**