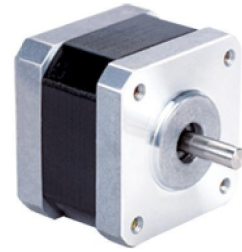


HS1704 Two Phase Stepper Motors

■ Features

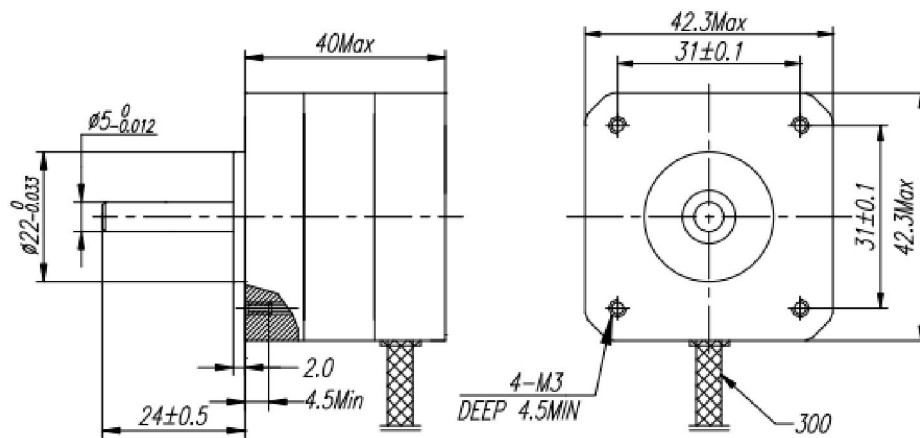
- 1.8° Stepping Angle
- NEMA 17
- High Torque
- High Accuracy
- Smooth Movement



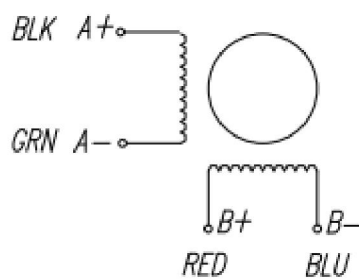
■ Specification

Model	Holding Torque	Rated Current	Resistance	Inductance	Detention Torque	Rotor Inertia	Shaft Size	Lead Number	Length	Weight
	Oz-in (Nm)	A	Ohm	mH	Oz-in	oz-in-sec ²	inch		inch	lb
HS1704S1	56.6 (0.40)	1.7	1.5	2.8	3.11	0.00076	0.197	4	1.57	0.62

■ Mechanical Dimension



■ Wiring Diagram



■ Speed-Torque Curve

