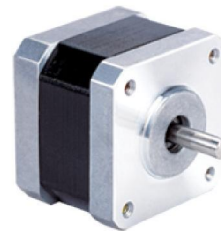


# HS1705 Two Phase 1.8° Stepper Motors

## ■ Features

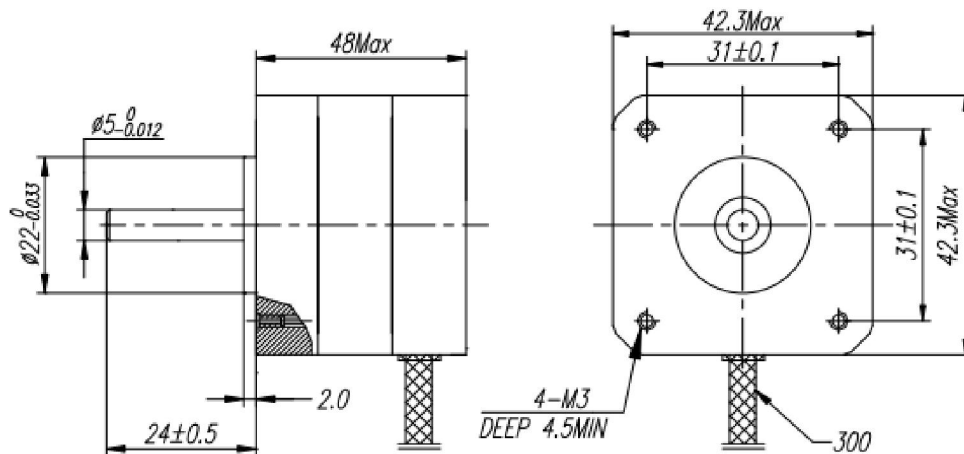
- 1.8° Stepping Angle
- NEMA 17
- High Torque
- High Accuracy
- Smooth Movement



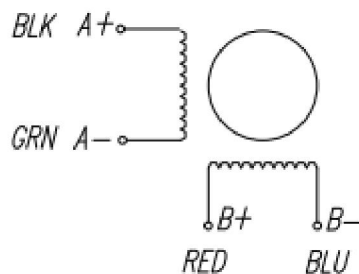
## ■ Specification

Model	Holding Torque	Rated Current	Resistance	Inductance	Detention Torque	Rotor Inertia	Shaft Size	Lead Number	Length	Weight
	Oz-in (NM)	A	Ohm	mH	Oz-in	oz-in-sec <sup>2</sup>	inch		inch	
HS1705S1	73.6 (0.52)	1.7	1.8	3.2	3.68	0.00096	0.197	4	1.89	0.77

## ■ Mechanical Dimension



## ■ Wiring Diagram



## ■ Speed-Torque Curve

