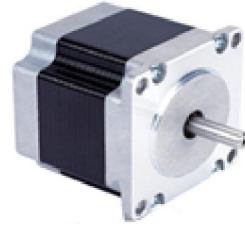


# HS2311 Two Phase 1.8° Stepper Motors

## ■ Features

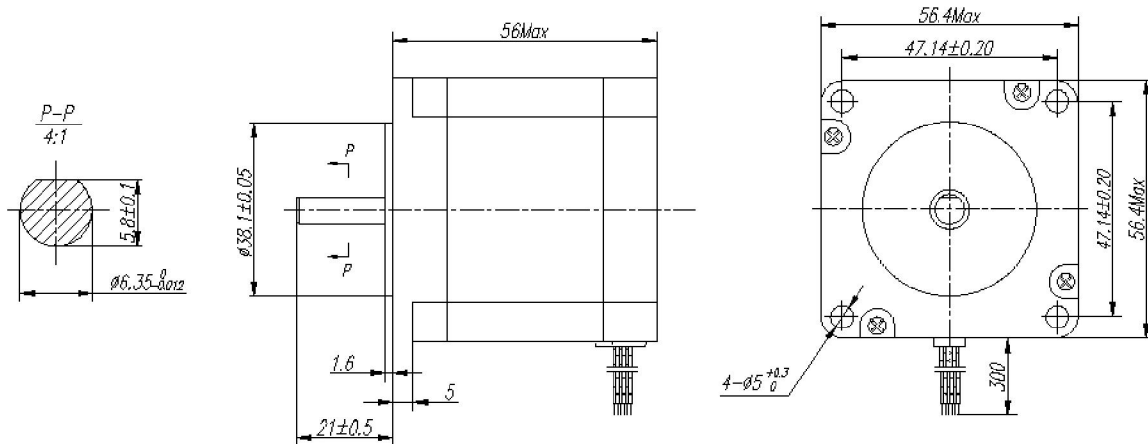
- 1.8° Stepping Angle
- NEMA 23
- High Torque
- High Accuracy
- Smooth Movement



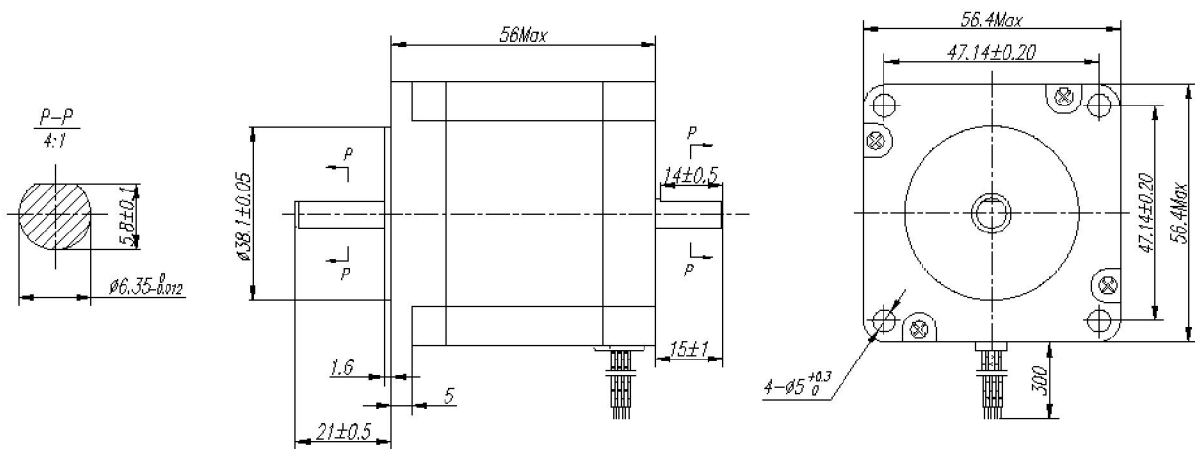
## ■ Specification

Model	Holding Torque	Phase Current	Voltage	Resistance	Inductance	Detention Torque	Rotor Inertia	Shaft Size	Lead Number	Length	Weight
	Oz-in (NM)	A	V	Ohm	mH	Oz-in	oz-in-sec <sup>2</sup>	inch		inch	
HS2311	156 (1.1)	3	2.4	0.8	2.4	4.96	0.00395	0.25	4	2.20	1.50

## ■ Mechanical Dimension



HS2311A Mechanical Dimension



HS2311B Mechanical Dimension

■ Wiring Diagram

