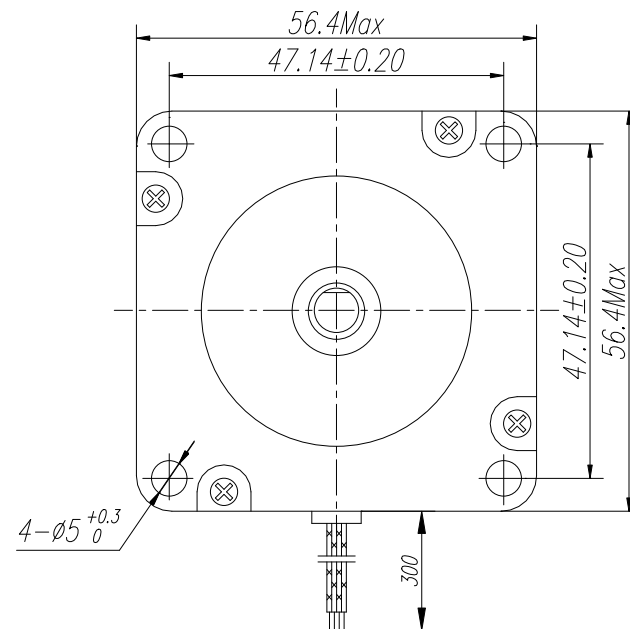
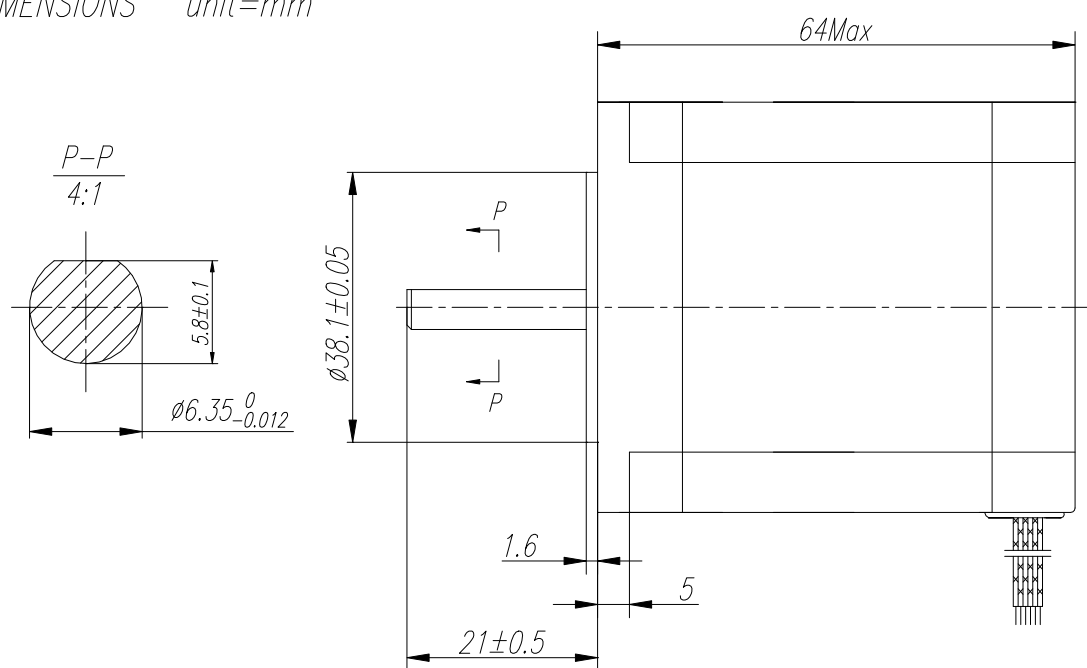


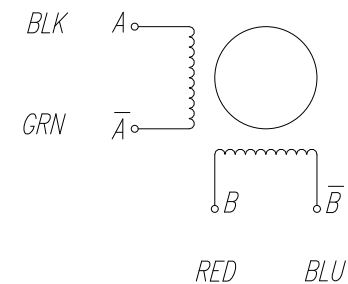
□ DIMENSIONS unit=mm



□ SPECIFICATIONS

PHASE	2	PHASE	COMMENT
STEP ANGLE	1.8±5%	°/STEP	
VOLTAGE	7.5	V	
CURRENT	1.0	A/PHASE	
RESISTANCE	7.5 ±10%	Ω/PHASE	
INDUCTANCE	20 ±20%	mH/PHASE	
HOLDING TORQUE	140	N.cm Min	
DETENT TORQUE	5	N.cm Max	
INSULATION CLASS	B		
LEAD STYLE	AWG22 UL1007		
签字			
打印日期			

□ COLORS OF LEAD WIRES



HS2314A

AMT LLC