

# HS2328 Two Phase 1.8° Stepper Motors

## ■ Features

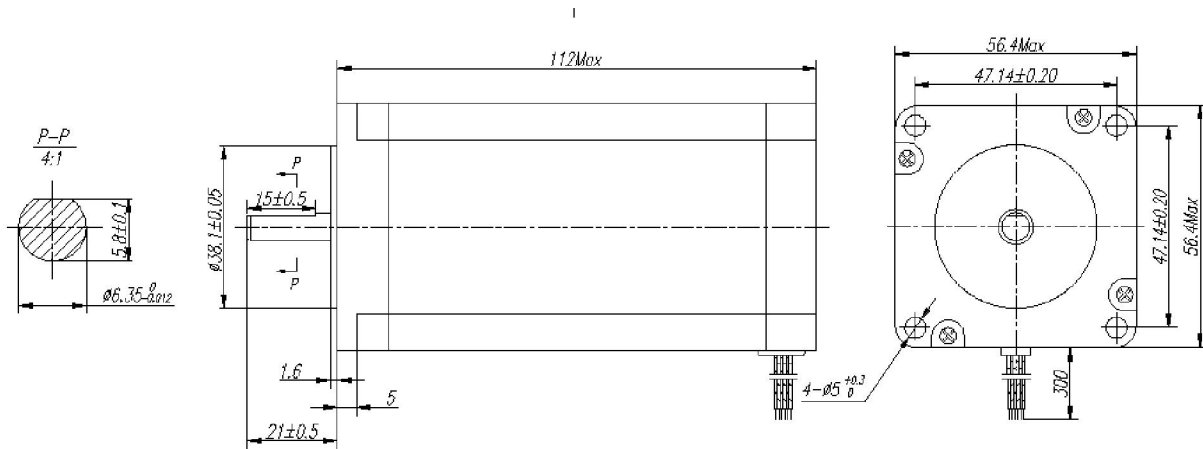
- 1.8° Stepping Angle
- NEMA 23
- High Torque
- High Accuracy
- Smooth Movement



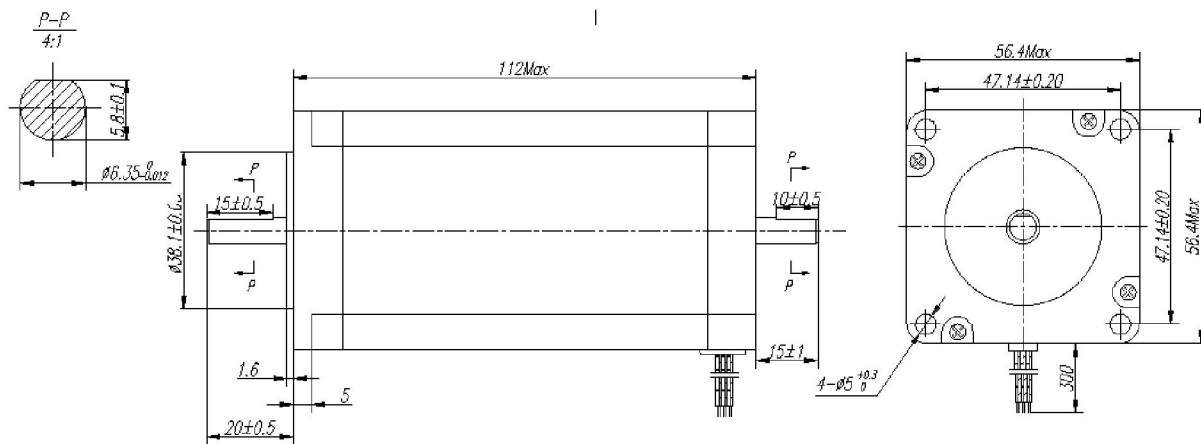
## ■ Specification

Model	Connection	Holding Torque	Rated Current	Resistance	Inductance	Detention Torque	Rotor Inertia	Shaft Size	Lead Number	Length	Weight
		Oz-in (NM)	A	Ohm	mH	Oz-in	oz-in-sec <sup>2</sup>	inch		inch	lb
HS2328	Bipolar Parallel	400 (2.82)	3.0	1.6	6.8	16.99	0.01128	0.25	4	4.41	3.08

## ■ Mechanical Dimension

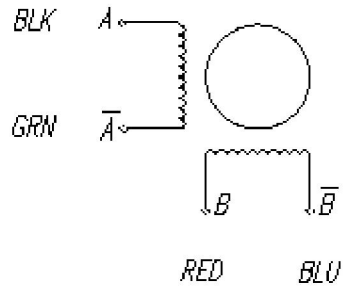


HS2328A Mechanical Dimension



HS2328B Mechanical Dimension

■ Wiring Diagram



■ Speed-Torque Curve

