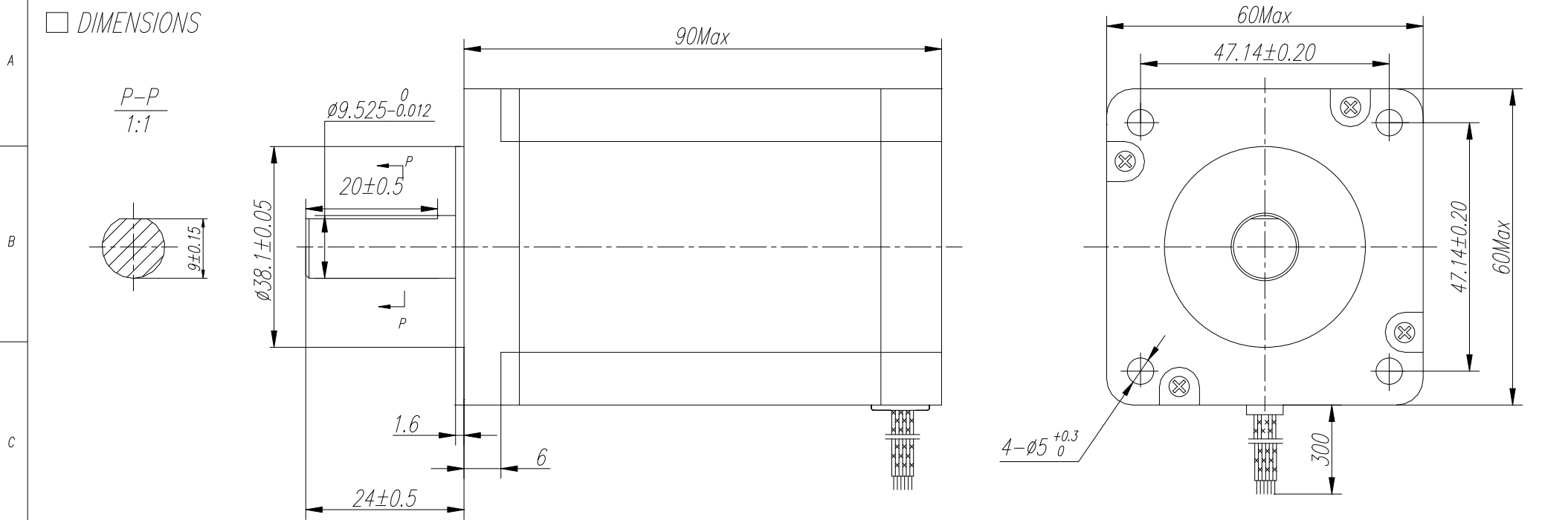


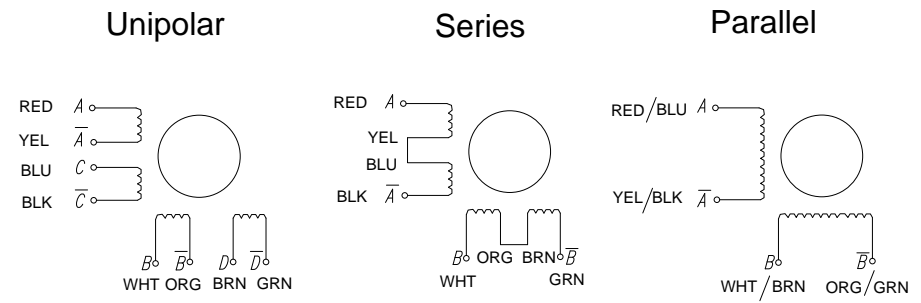
□ DIMENSIONS



□ SPECIFICATIONS unit=mm

PHASE	2	PHASE	
STEP ANGLE	1.8±5%	°/STEP	
DETENT TORQUE	12	N.cm Max	
INSULATION CLASS	B		
LEAD STYLE	AWG22 UL1007		
		Unipolar	Series
CURRENT	3.5	A/PHASE	2.5 A/PHASE
RESISTANCE	1.1 ±10%	Ω/PHASE	2.2 ±10% Ω/PHASE
INDUCTANCE	1.9 ±20%	mH/PHASE	7.6 ±20% mH/PHASE
HOLDING TOGQUE	208	N.cm	270 N.cm

□ COLORS OF LEAD WIRES BIPOLAR & UNIPOLAR



HS23B30A

AMT LLC

签字

打印日期